



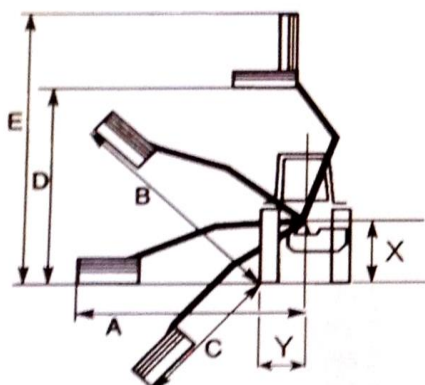
# SIROMER Equipment

Your Tractor's Best Friend

## SIROMER HEDGE TRIMMER



Siromer Hedge Trimmers are designed to fit industry standard CAT I linkages. Siromer's high reach hedge trimmers are fitted with a PTO driven hydraulic pump, which means the hedge trimmer is independent of the tractor's hydraulics. The finger bar and flail heads are interchangeable. See price list for costs. The pictured hedge trimmer is fitted with a flail head.



	U44 – Flail Head	U54 – Finger Head
<b>Weight</b>	275kg	250kg
<b>Cutting Width</b>	800mm	1300mm
<b>Blade Type</b>	Y Type Flail Blade	Knife Blade
<b>Number of Blades</b>	32	19
<b>Oil Capacity</b>	55L	55L
<b>HP Required</b>	20-40hp	20-40hp
<b>Hard Wood</b>	Max: $\Phi$ 3 cm	Max: $\Phi$ 1cm
<b>Soft Wood</b>	Max: $\Phi$ 6 cm	Max: $\Phi$ 2cm
<b>A</b>	2780mm	3330mm
<b>B</b>	2250mm	2720mm
<b>C</b>	1400mm	1400mm
<b>D</b>	2050mm	1880mm
<b>E</b>	3450mm	3500mm
<b>X</b>	800mm	800mm
<b>Y</b>	690mm	690mm

Tel: 01253 799 029

Web: [www.siromer.co.uk](http://www.siromer.co.uk)

Specification subject to change without notice. Information is for guidance only.