



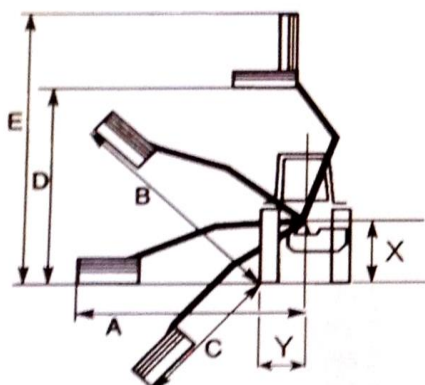
SIROMER Equipment

Your Tractor's Best Friend

SIROMER HEDGE TRIMMER



Siromer Hedge Trimmers are designed to fit industry standard CAT I linkages. Siromer's high reach hedge trimmers are fitted with a PTO driven hydraulic pump, which means the hedge trimmer is independent of the tractor's hydraulics. The finger bar and flail heads are interchangeable. See price list for costs. The pictured hedge trimmer is fitted with a flail head.



| | U44 – Flail Head | U54 – Finger Head |
|-------------------------|--------------------|-------------------|
| Weight | 275kg | 250kg |
| Cutting Width | 800mm | 1300mm |
| Blade Type | Y Type Flail Blade | Knife Blade |
| Number of Blades | 32 | 19 |
| Oil Capacity | 55L | 55L |
| HP Required | 20-40hp | 20-40hp |
| Hard Wood | Max: Φ 3 cm | Max: Φ 1cm |
| Soft Wood | Max: Φ 6 cm | Max: Φ 2cm |
| A | 2780mm | 3330mm |
| B | 2250mm | 2720mm |
| C | 1400mm | 1400mm |
| D | 2050mm | 1880mm |
| E | 3450mm | 3500mm |
| X | 800mm | 800mm |
| Y | 690mm | 690mm |

Tel: 01253 799 029

Web: www.siromer.online

Specification subject to change without notice. Information is for guidance only.